



FFBT Evo



NEW

Long loaf moulder for French “baguettes”

FFBT long loaf moulder is suitable for making French bread such as “baguettes”, “petit-pains”, “parisiennes” and – in wider terms – loaves and small loaves from high hydration dough requiring a very careful processing.

Standard features

- Aluminium alloy and steel structural frame painted with double anti-corrosion cycle and epoxy powder coating (suitable for food contact).
- Thermoformed ABS side outer paneling and control panel.
- Laminating of dough through two non-stick material-coated cylinders, rolling up through a mesh rolling up conveyor belt, extending of loaves through two wool-felt conveyor belts with opposite motion.
- Wool felt-coated chute for collection of loaves, foldable upwards.
- Laminating thickness and loaf length adjustment through micrometric steering.
- Very noiseless driving belts.
- Output performance: dough pieces ranging from a weight of min. 80 g up to max. 1000 g; approximate max. output: 1500 pieces/h (FFBT Evo)

Configurations

- FFBT Evo: Version for manual loading

Options

- Standard trolley: painted steel tubular support mounted on wheels

MODELS

FFBT Evo	Long loaf moulder for “baguettes”, manual loading
----------	---

Control panel

EDMD	Right-hand side (standard)
ESMS	Left-hand side

Accessories

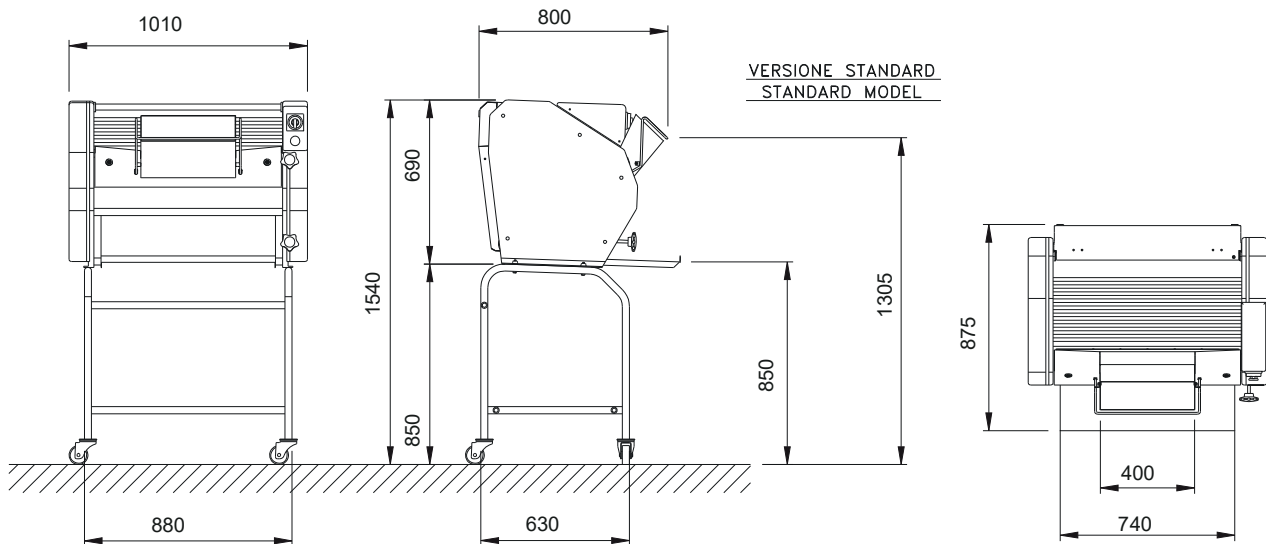
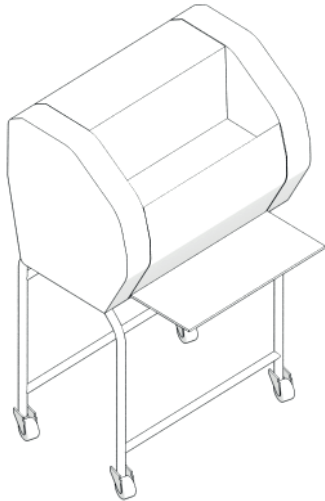
CAV	Standard trolley with tubular foot mounted on wheels
2TE	Slowed down exit belt equipped with support



FILONATRICE FFBT EVO

Machines NOR09R003

FFBT EVO LONG LOAF MOULDER



DATI TECNICI - TECHNICAL FEATURES

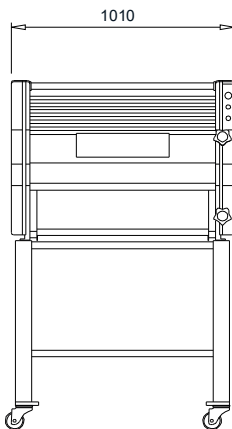
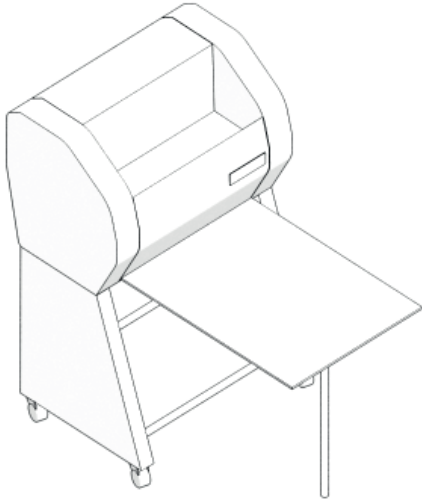
POTENZA INSTALLATA/INSTALLED POWER	kW	0,55
POTENZA MAX ASSORBITA/MAX. ABSORBED POWER	kW	0,55
INGOMBRO/OVERALL DIMENSIONS	mm	1010x800x690
INGOMBRO CON CARRELLO/OVERALL DIMENSIONS WITH RACK	mm	1010x800x1540
MASSA/MASS	kg	140
MASSA CON CARRELLO/MASS WITH RACK	kg	155
MASSA CON IMBALLO IN CARTONE/MASS WITH CARTON PACKING	kg	165
VOLUME IMBALLO IN CARTONE/CARTON VOLUME	m ³	0,75
CONNESSIONE ELETTRICA/PLUG COUPLING		3PH+Gr



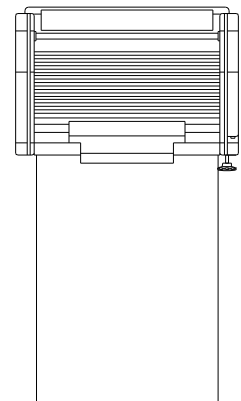
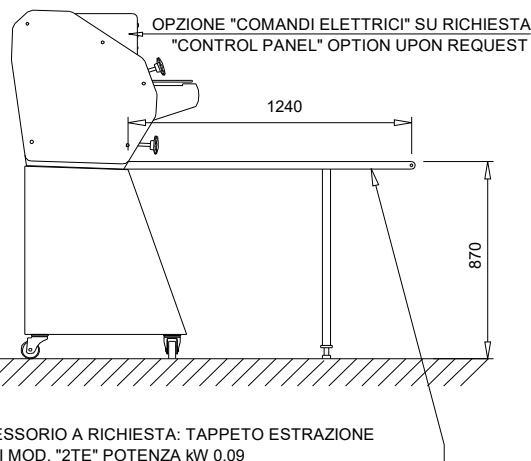
FILONATRICE FFBT EVO/A

Machines 02_024

FFBT EVO/A LONG LOAF MOULDER



VERSIONE PER ABBINAMENTO ALLA CELLA DI PREFERMENTAZIONE "ECP"
MODEL FOR COMBINATION WITH ECP INTERMEDIATE PROOFER



ACCESSORIO A RICHIESTA: TAPPETO ESTRAZIONE
PEZZI MOD. "2TE" POTENZA kW 0,09
ACCESSORY UPON REQUEST:
EXTRACTION BELT TYPE "2TE" POWER kW 0,09

DATI TECNICI - TECHNICAL FEATURES

POTENZA INSTALLATA/INSTALLED POWER	kW	0,55
POTENZA MAX ASSORBITA/MAX. ABSORBED POWER	kW	0,55
INGOMBRO/OVERALL DIMENSIONS	mm	1010x800x690
INGOMBRO CON CARRELLO/OVERALL DIMENSIONS WITH RACK	mm	1010x800x1540
MASSA/MASS	kg	140
MASSA CON CARRELLO/MASS WITH RACK	kg	155
MASSA CON IMBALLO IN CARTONE/MASS WITH CARTON PACKING	kg	165
VOLUME IMBALLO IN CARTONE/CARTON VOLUME	m ³	0,75
CONNESSIONE ELETTRICA/PLUG COUPLING		3PH+Gr+N

