



FE/4C S



Long loaf moulder

The 4-cylinder FE/4C S long loaf moulder is particularly suitable for processing dry and elastic dough and it is mainly used for automatic industrial lines by coupling it with ECP intermediate proofer.

Standard features

- Painted steel outer paneling and structural frame on casters.
- Double painted anti-corrosion cycle and epoxy powder coating (suitable for food contact).
- Loading conveyor belt pre-arranged to be coupled with ECP intermediate proofer.
- 4-cylinder dough lamination and adjustable opening.
- Pre-rolling up mesh to prepare dough pieces for next long moulding through 3 stainless steel adjustable and interchangeable pressing devices and polyethylene-coated sides suitable for food contact as well for moulding of cut-off end-shaped loaves.
- Performances: dough pieces ranging from 100 to 1600 g;
length of loaf: 150 – 200 - 380 mm.



Detail of adjustment levers
for laminating thickness

MODELS

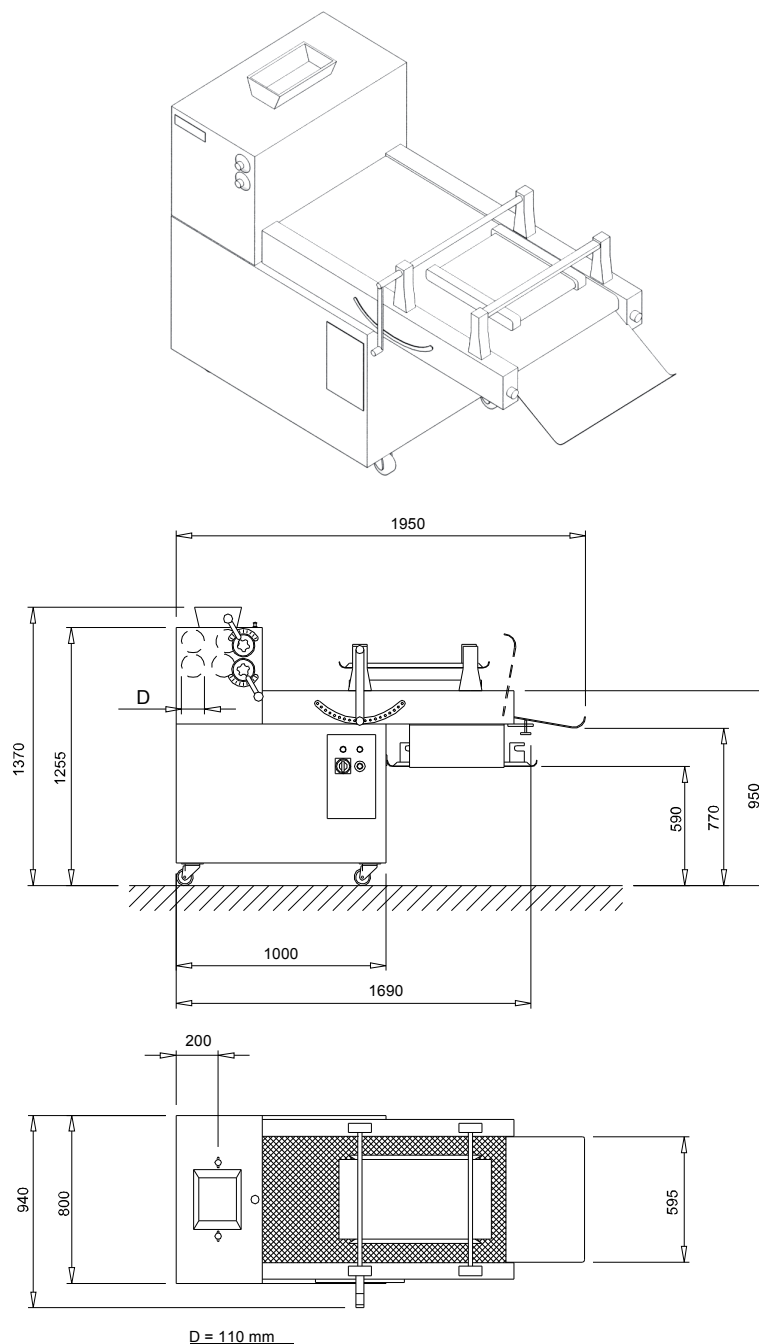
FE/4C S	4-cylinder long loaf moulder
---------	------------------------------



FILONATRICE - FE 4C S

Macchine 2002/021

LONG MOULDER - FE 4C S

**DATI TECNICI/TECHNICAL FEATURES**

Potenza installata/Installed power	kW	1,5
Potenza max assorbita/Max. absorbed power	kW	1,5
Massa/Mass	kg	490
Volume imballo/Packing volume	m ³	3,7
Connessione elettrica/Plug coupling		3PH+Gr